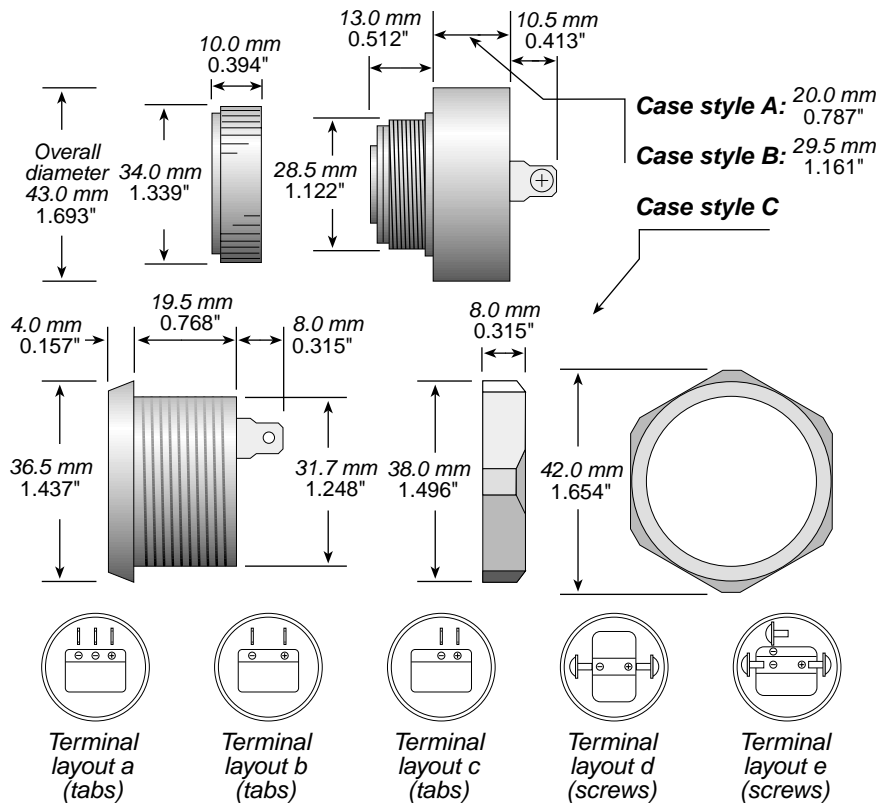


Piezo Audio Indicators

Panel Mounting Type

This product has been
DISCONTINUED



FEATURES

OMT6--S Series

- Fits 1.125 inch (28.57 mm) opening in panels up to 0.25 inch (6.35 mm) thick
- Three different tones and combinations available
- Supplied with Phillips-head screws
- Non-polarized versions available: OMT650SN, OMT651SN, OMT653SN
- Louder versions available (75-90 dB): OMT650SNL, OMT651SNL, OMT646SNL (All are non-polarized)

OMT6--SN Series

- Fits 1.125 inch (28.57 mm) opening in panels up to 0.25 inch (6.35 mm) thick
- Three different tones available
- Operated by either AC or DC voltage without polarization
- Supplied with Phillips-head screws
- Louder versions available (75-90 dB): OMT610SNL, OMT611SNL, OMT613SNL

OMT6--BN Series

- Fits 1.125 inch (28.57 mm) opening in panels up to 0.25 inch (6.35 mm) thick
- Three different tones and combinations available
- Operated by either AC or DC voltage without polarization
- Supplied with 0.25 in (6.35 mm) quick-disconnect tabs

OMT75-S Series

- Front-inserted panel-mounting type
- Fits 1.25 inch (31.75 mm) opening in panels up to 0.50 inch (12.7 mm) thick
- Three different tones and combinations available
- Operated by either AC or DC voltage without polarization
- Supplied with Phillips-head screws

OMT75-B Series

- Front-inserted panel-mounting type
- Fits 1.25 inch (31.75 mm) opening in panels up to 0.50 inch (12.7 mm) thick
- Three different tones and combinations available
- Supplied with 0.187 in (4.75 mm) quick-disconnect tabs

All

- Operating temperature - 20°C~60°C; Storage temperature -30°C~70°C

Model No.	Oscillating frequency (Hz ±500)	Operating voltage	Sound pressure @60cm (dB min.)	Current consumption (mA max.)	Tone*	Terminal style	Weight (g)	Case style
✚ OMT610BN	2900	30-120 AC/DC	70-85	4-18	Continuous	Tab (b)	40.0	A
✓ OMT610SN	2900	30-120 AC/DC	70-85	4-18	Continuous	Screw (d)	35.3	A
✚ OMT611BN	2900	30-120 AC/DC	70-85	4-18	Fast pulse	Tab (c)	40.0	A
✓ OMT611SN	2900	30-120 AC/DC	70-85	4-18	Fast pulse	Screw (d)	40.0	A
✚ OMT613BN	2900	30-120 AC/DC	70-85	4-18	Slow pulse	Tab (c)	40.0	A
✓ OMT613SN	2900	30-120 AC/DC	70-85	4-18	Slow pulse	Screw (d)	40.0	A
✚ OMT620BN	2900	60-250 AC/DC	70-85	4-18	Continuous	Tab (b)	62.0	B
✚ OMT620SN	2900	60-250 AC/DC	70-85	4-18	Continuous	Screw (d)	62.0	B
✚ OMT621BN	2900	60-250 AC/DC	70-85	4-18	Fast pulse	Tab (c)	62.0	B
✚ OMT621SN	2900	60-250 AC/DC	70-85	4-18	Fast pulse	Screw (d)	62.0	B
✚ OMT623BN	2900	60-250 AC/DC	70-85	4-18	Slow pulse	Tab (c)	62.0	B
✚ OMT623SN	2900	60-250 AC/DC	70-85	4-18	Slow pulse	Screw (d)	62.0	B
✚ OMT648S	2900	10-48 DC	70-85	4-18	Continuous	Screw (d)	37.0	A
✓ OMT650S	2900	4-28 DC	70-85	4-18	Continuous	Screw (d)	32.0	A
✓ OMT651S	2900	6-28 DC	70-85	4-18	Fast pulse	Screw (d)	32.0	A
✓ OMT653S	2900	6-28 DC	70-85	4-18	Slow pulse	Screw (d)	37.0	A
✓ OMT655S	2900	6-28 DC	70-85	4-18	Cont. & F. P.	Screw (e)	38.0	A
✓ OMT657S	2900	6-28 DC	70-85	4-18	Cont. & S. P.	Screw (e)	38.0	A
✓ OMT750B	3600	4-28 DC	70-85	4-18	Continuous	Tab (b)	17.0	C
✚ OMT750S	3500	4-28 DC	70-85	4-18	Continuous	Screw (d)	17.8	C
✚ OMT751B	3600	6-28 DC	70-85	4-18	Fast pulse	Tab (c)	20.0	C
✚ OMT751S	3600	6-28 DC	70-85	4-18	Fast pulse	Screw (d)	21.0	C
✚ OMT753B	3600	6-28 DC	70-85	4-18	Slow pulse	Tab (c)	20.0	C
✚ OMT753S	3600	6-28 DC	70-85	4-18	Slow pulse	Screw (d)	21.0	C
✚ OMT755B	3600	6-28 DC	70-85	4-18	Cont. & F. P.	Tab (a)	21.0	C
✚ OMT755S	3600	6-28 DC	70-85	4-18	Cont. & F. P.	Screw (e)	23.0	C
✚ OMT757B	3600	6-28 DC	70-85	4-18	Cont. & S. P.	Tab (a)	21.0	C
✚ OMT757S	3600	6-28 DC	70-85	4-18	Cont. & S. P.	Screw (e)	23.0	C

✚ = Most popular stock values

✓ = Stock values

✚ = Non-stock values subject to minimum handling charge per item

* Pulse rate at 12VDC: Fast, 3.0 Hz ±20%; Slow, 1.2 Hz ±20%